

Dual color SMD5050 LED Strip Light 60LEDs/m

◆ Product Description:



- CCT color Adjustable LED strip with 60pcs of 5050 2 in 1 LED chips
- FPC in white color with 8mm Width, 2 Ounce copper
- Cut-able every 6LEDs & 100mm
- All soldering Pads are very large, allowing you to easily cut and reconnect
- DC24V constant voltage operation
- Both ends have 3pin bare wires for powering
- 3M tape attached on backside of FPC, 5 meters per reel,
- 3 different waterproof types IP64, IP65, IP67
- Only standard color temperatures are available



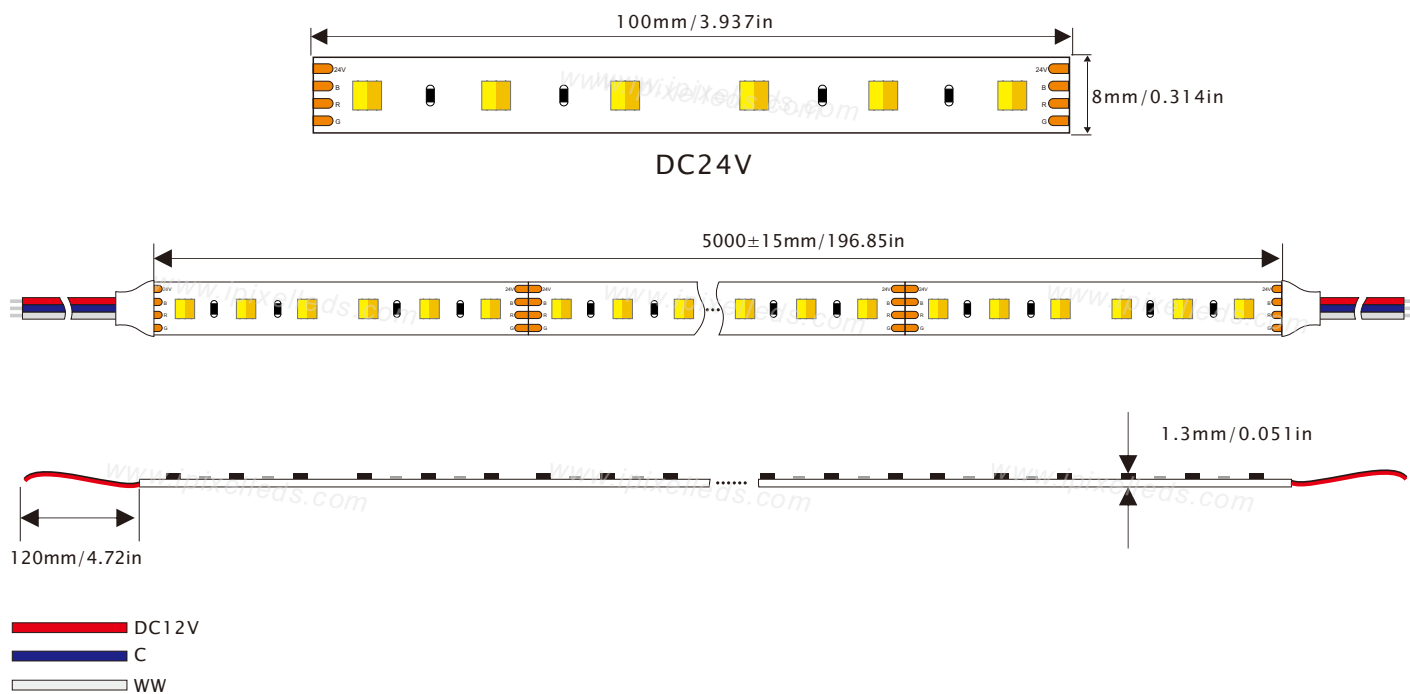
◆ Product Datasheet

Product Number	S010060CC2PZ
Operating Voltage	DC24V
Power/m	9.6W
SMD Type	SMD 5050
LED Qty/m	60
Cutting Length	100mm/6LED
Color	WW:2800-3200K+W:6000-6500K
Luminance/m	W:408lm WW:382lm
Ra	80
Material	FPC
Control	PWM
Beam Angle	120°
Size (mm)	5000x10mm
IP Rating	IP20/IP64/IP65/IP67
Operation Temperature	- 25 ~ 60°C

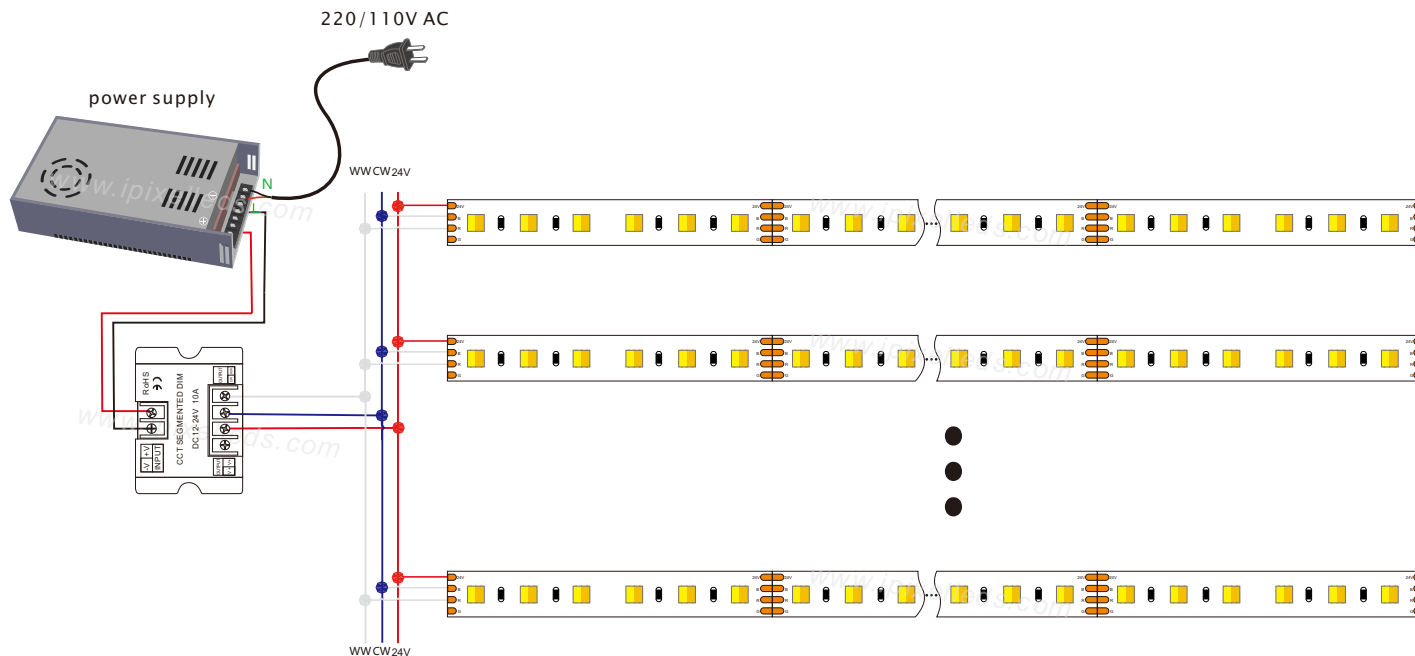
Remarks:

- 1.The above parameters were tested according to integrating sphere TM-30-15.
- 2.The output data is based on IP20 and one merter.
- 3.The data such as power etc, $\pm 15\%$ tolerance is normal.
- 4.IP protection process causes changes in size, CCT and luminous flux.

Outline Dimension (unit : mm/in)



Wiring diagram



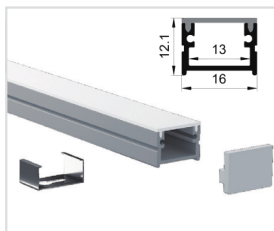
IP Rating



◆ Related products:



Power supply
LRS-350-24

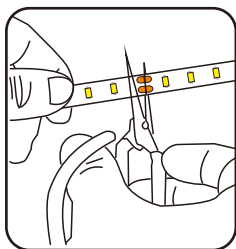


Alum profile
1613

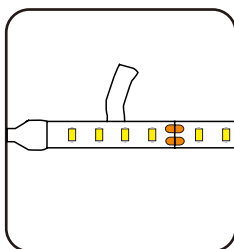


Dual Color LED Controller
V2+R7-1

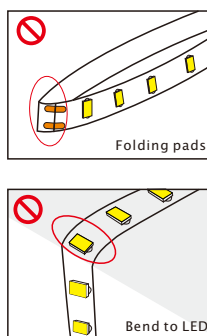
◆ Installation method:



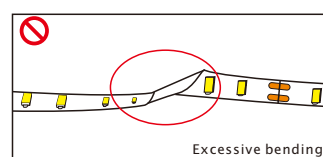
Can be cut



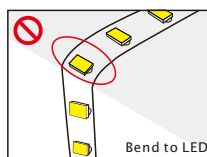
Tear off the 3M adhesive as need



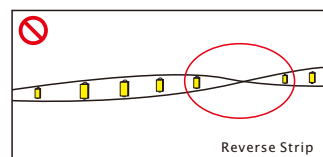
Folding pads



Excessive bending



Bend to LED



Reverse Strip

Distortion(Wrong)

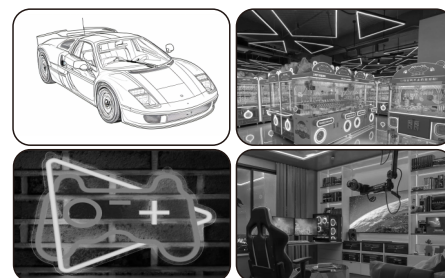
◆ Scenes to be used:



Indoor decorations



Outdoor Architecture

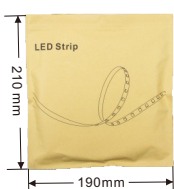


Modeling entertainment facilities, etc.

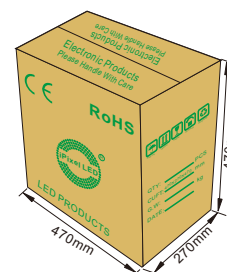
◆ Product packaging



Reel



Antistatic bag



Note: The parameters are subject to change without notice!

A1.25-03-04